

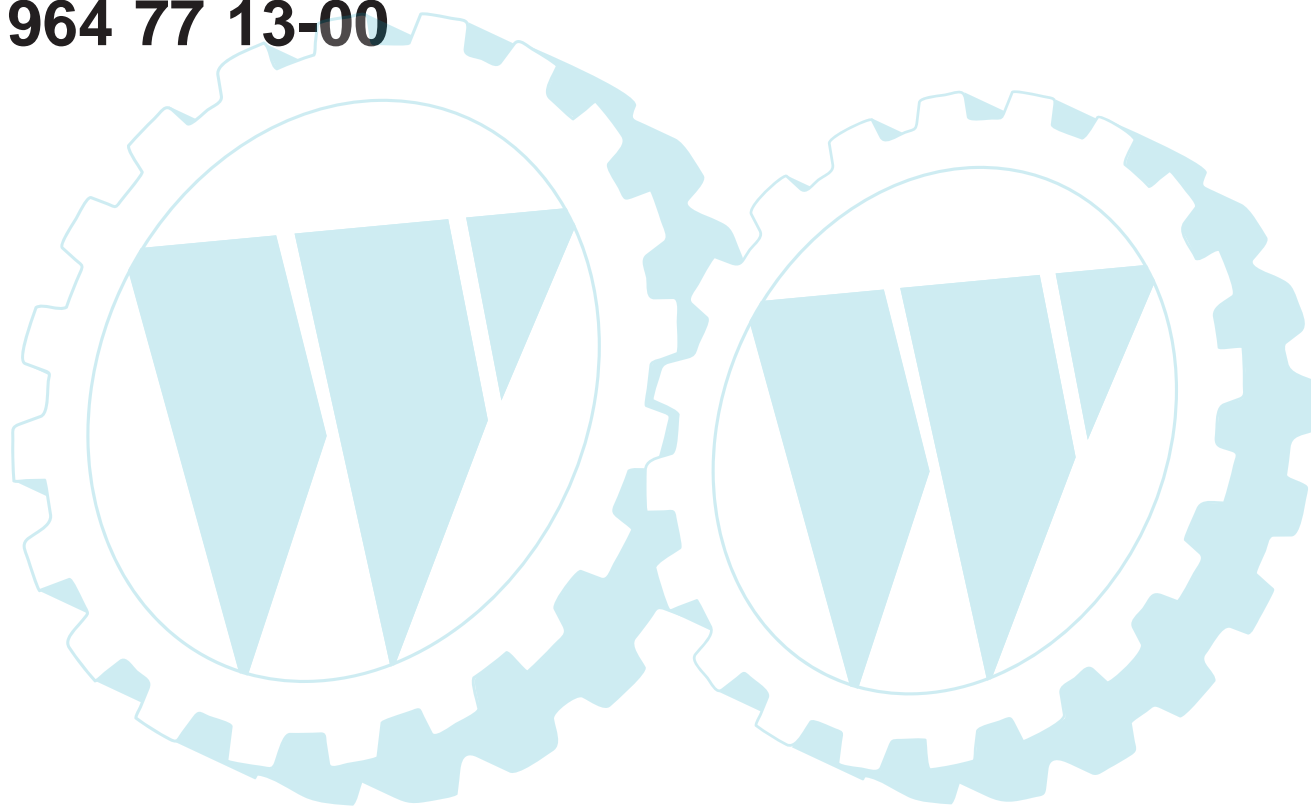
ILLUSTRATED PARTS BREAKDOWN

BERNARD

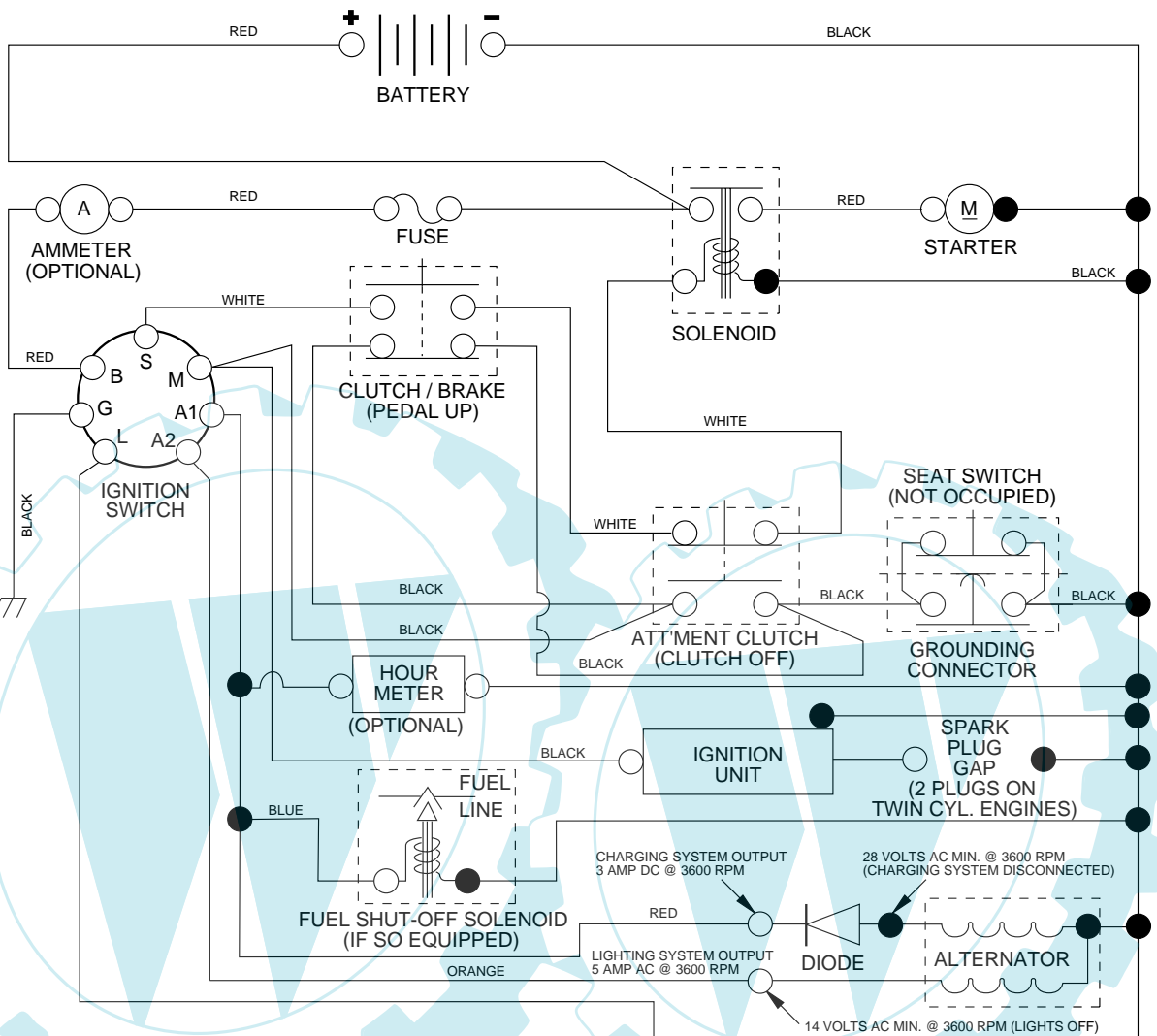
13.5 HP LAWN TRACTOR

MODEL NO. BL12536SBJ (BL12536SBJA)

964 77 13-00

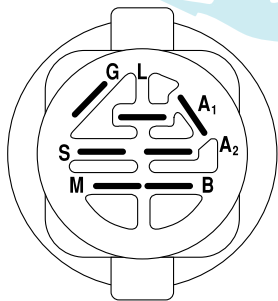


**TRACTOR - MODEL NO. BL12536SBJ (BL12536SBJA), PRODUCT NO. 964 77 13-00
SCHEMATIC**



NOTE

YOUR TRACTOR IS EQUIPPED WITH A SPECIAL ALTERNATOR SYSTEM. THE LIGHTS ARE NOT CONNECTED TO THE BATTERY, BUT HAVE THEIR OWN ELECTRICAL SOURCE. BECAUSE OF THIS, THE BRIGHTNESS OF THE LIGHTS WILL CHANGE WITH ENGINE SPEED. AT IDLE THE LIGHTS WILL DIM. AS THE ENGINE IS SPEEDED UP, THE LIGHTS WILL BECOME THEIR BRIGHTEST.



IGNITION SWITCH

POSITION	CIRCUIT	"MAKE"
OFF	M+G+A1	NONE
RUN/LIGHT	B+A1	A2+L
RUN	B+A1	NONE
START	B + S + A1	NONE

WIRING INSULATED CLIPS

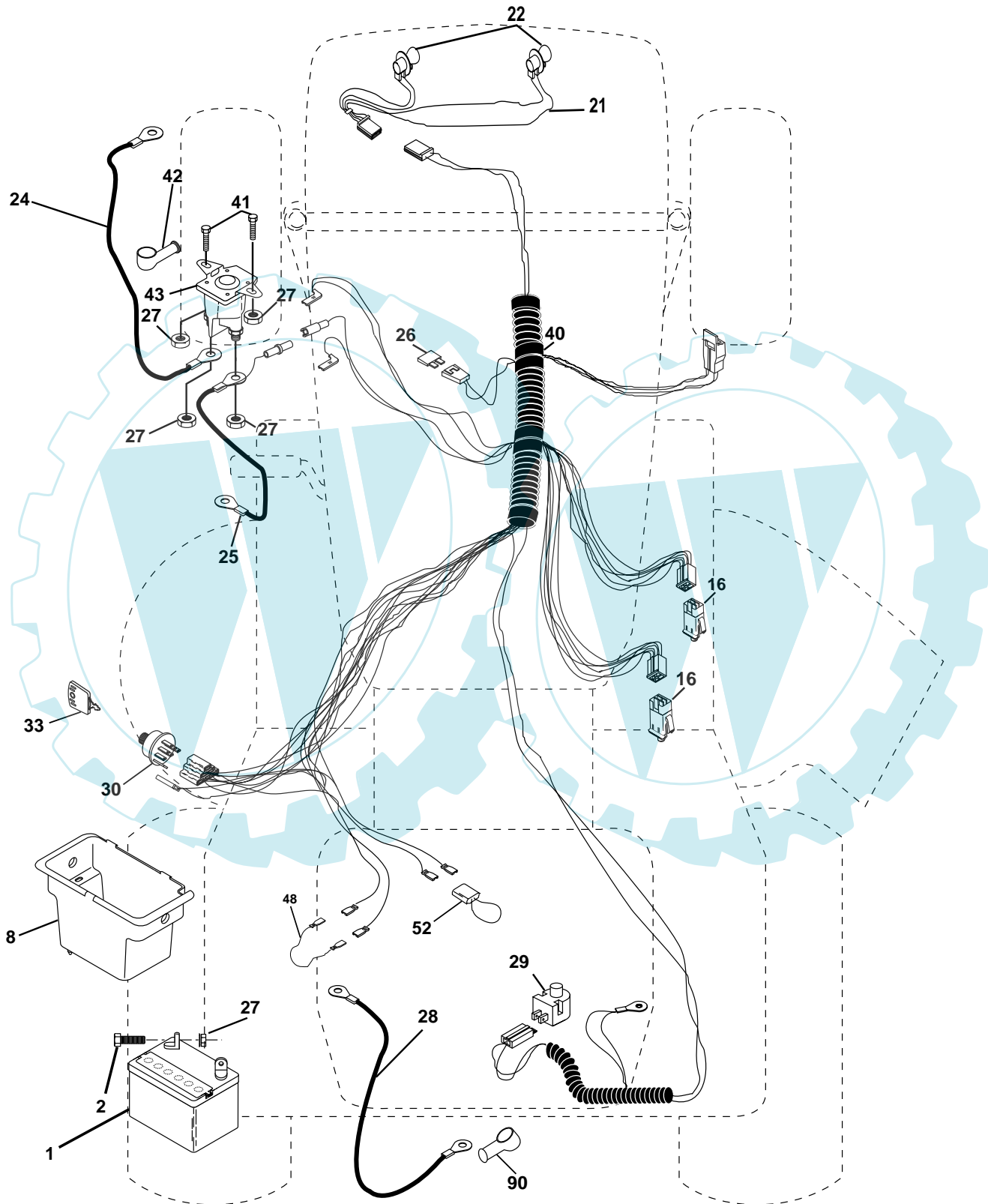
NOTE: IF WIRING INSULATED CLIPS WERE REMOVED FOR SERVICING OF UNIT, THEY SHOULD BE REPLACED TO PROPERLY SECURE YOUR WIRING.

NON-REMOVABLE CONNECTIONS

REMOVABLE CONNECTIONS

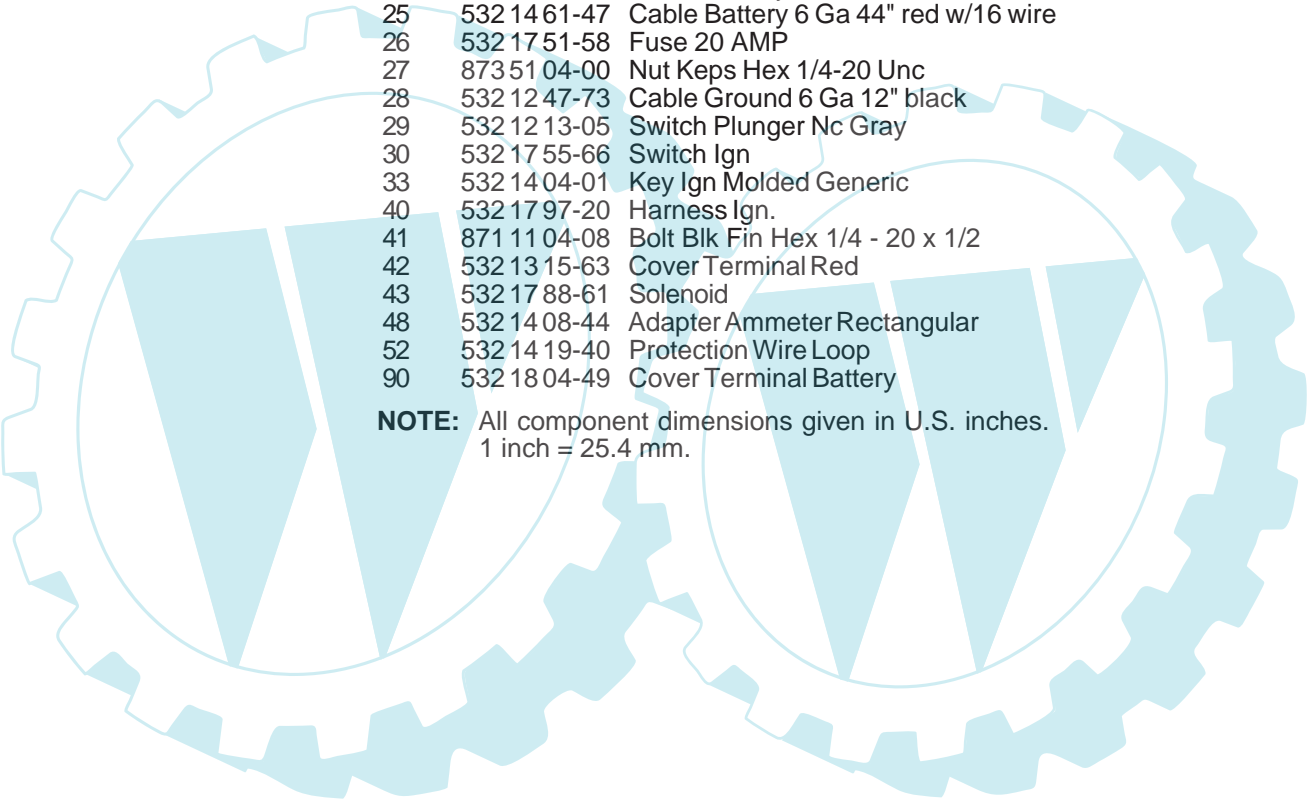
REPAIR PARTS

TRACTOR - MODEL NO. BL12536SBJ (BL12536SBJA), PRODUCT NO. 964 77 13-00
ELECTRICAL



REPAIR PARTS

TRACTOR - MODEL NO. BL12536SBJ (BL12536SBJA), PRODUCT NO. 964 77 13-00
ELECTRICAL

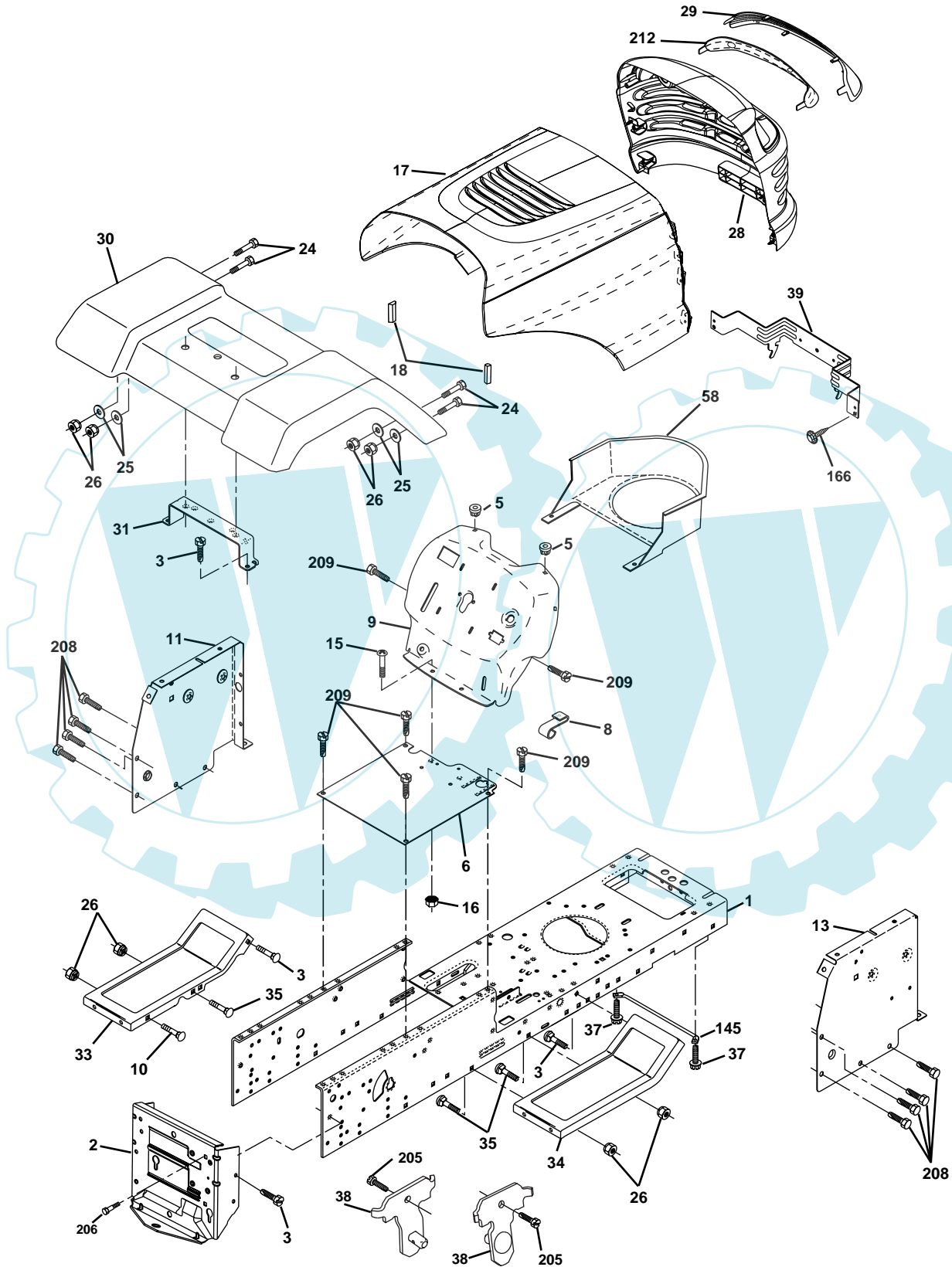


KEY NO.	PART NO.	DESCRIPTION
1	532 16 34-65	Battery 12 Volt 25 AMP
2	874 76 04-12	Bolt Hex Hd 1/4-20unc X 3/4
8	532 17 66-89	Box Battery
16	532 17 61-38	Switch Interlock Push-In
21	532 17 56-88	Harness Asm Light W/4152j
22	532 00 41-52	Bulb Light #1156
24	532 12 47-80	Cable Battery 6 Ga 11" red
25	532 14 61-47	Cable Battery 6 Ga 44" red w/16 wire
26	532 17 51-58	Fuse 20 AMP
27	873 51 04-00	Nut Keps Hex 1/4-20 Unc
28	532 12 47-73	Cable Ground 6 Ga 12" black
29	532 12 13-05	Switch Plunger Nc Gray
30	532 17 55-66	Switch Ign
33	532 14 04-01	Key Ign Molded Generic
40	532 17 97-20	Harness Ign.
41	871 11 04-08	Bolt Blk Fin Hex 1/4 - 20 x 1/2
42	532 13 15-63	Cover Terminal Red
43	532 17 88-61	Solenoid
48	532 14 08-44	Adapter Ammeter Rectangular
52	532 14 19-40	Protection Wire Loop
90	532 18 04-49	Cover Terminal Battery

NOTE: All component dimensions given in U.S. inches.
1 inch = 25.4 mm.

REPAIR PARTS

TRACTOR - MODEL NO. BL12536SBJ (BL12536SBJA), PRODUCT NO. 964 77 13-00
CHASSIS AND ENCLOSURES



REPAIR PARTS

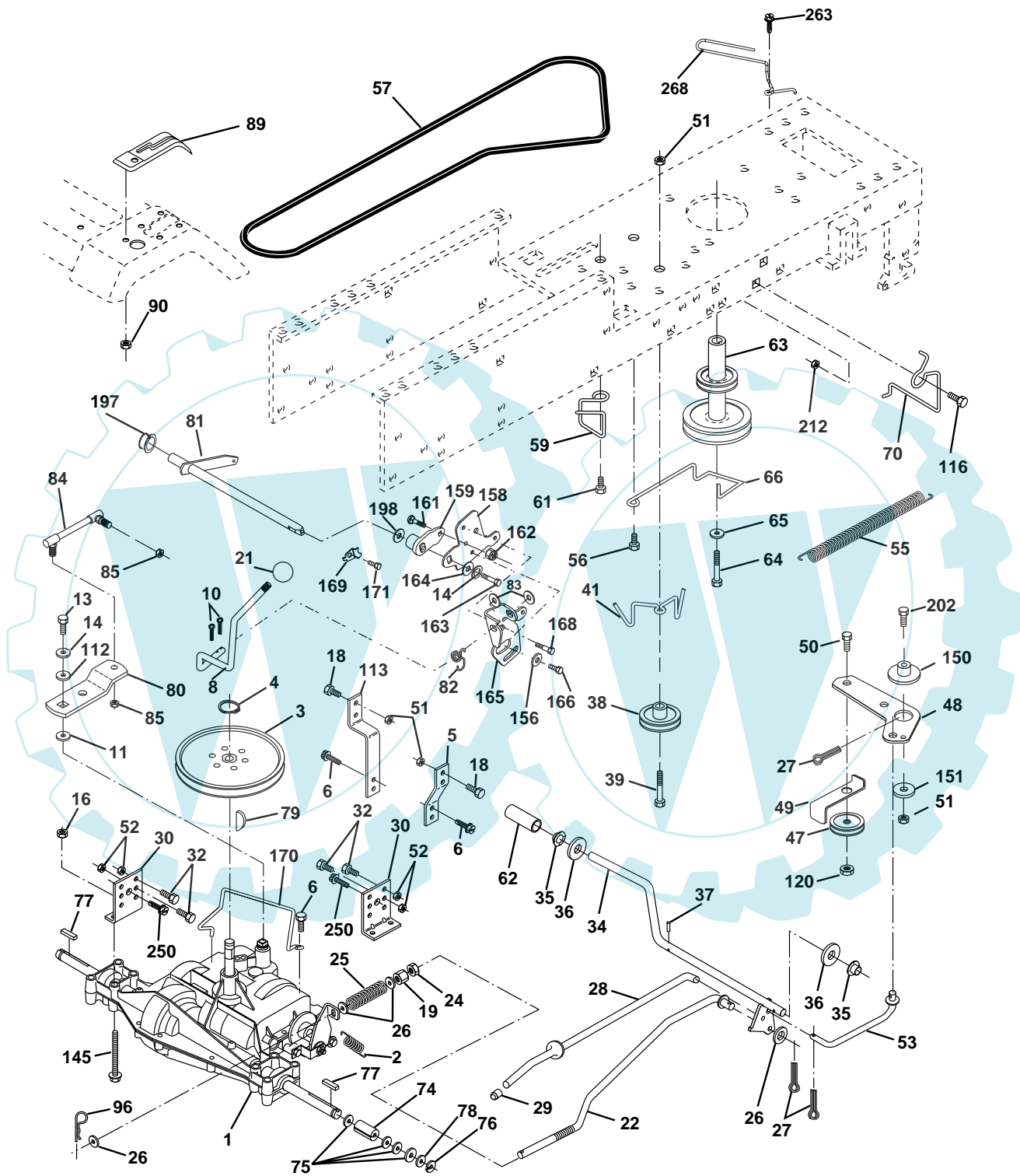
TRACTOR - MODEL NO. BL12536SBJ (BL12536SBJA), PRODUCT NO. 964 77 13-00
CHASSIS AND ENCLOSURES

KEY NO.	PART NO.	DESCRIPTION
1	532 17 46-20	Chassis Stamping
2	532 17 65-54	Drawbar
3	817 06 06-12	Screw 3/8-16x3/4
5	532 15 52-72	Bumper Hood/Dash
6	532 15 59-23	Saddle
8	532 15 51-38	Clip Retainer
9	532 17 22-43	Dash P/L
10	872 14 06-08	Bolt Carriage 3/8-16 x 1
11	532 17 49-96	Panel Dash Lh
13	532 18 17-19	Panel Dash Rh
15	874 18 05-12	Screw Mach Trhd 5/16-18 Unc x 3/4
16	873 51 05-00	Nut Keps 5/16-18 Unc
17	532 18 29-07	Hood
18	532 12 69-38	Bumper Hood
24	874 78 06-16	Bolt Fin Hex 3/8-16 Unc x 1 Gr. 5
25	819 13 13-12	Washer 13/32 X 13/16 X 12 Ga
26	873 80 06-00	Nut Lock Hex W/Ins 3/8-16 Unc
28	532 17 97-49	Grille/Lens
29	532 18 27-18	Lens Laser
30	532 17 37-48	Fender
31	532 13 66-19	Bracket Support Fender
33	532 18 10-57	Footrest Lh
34	532 18 10-58	Footrest RH
35	872 11 06-06	Bolt Rdhd Sqnk 3/8-16 x 3/4
37	817 49 05-08	Screw Thdrol 6/16-18 x 1/2 TYT
38	532 17 57-10	Bracket, Asm. Pivot, Mower Rear
39	532 17 47-14	Bracket Pivot Laser
58	532 15 01-27	Air Duct Engine P/L
145	532 15 65-24	Rod Pivot Chassis/Hood
166	532 16 48-63	Screw HW HD Hi-Lo #13-16 x 3/4
205	817 49 06-08	Screw Thdrol 3/8-16 x 1/2
206	532 17 01-65	Bolt Shoulder 5/16-18 TT
208	817 67 06-08	Screw Thdrol 3/8-16 x 1/2
209	817 00 06-12	Screw Hexwsh Thdrol 3/8-16 x 3/4
212	532 17 51-43	Insert Lens Reflect
--	532 00 54-79	Plug Button

NOTE: All component dimensions given in U.S. inches
1 inch = 25.4 mm

REPAIR PARTS

TRACTOR - MODEL NO. BL12536SBJ (BL12536SBJA), PRODUCT NO. 964 77 13-00
DRIVE



REPAIR PARTS

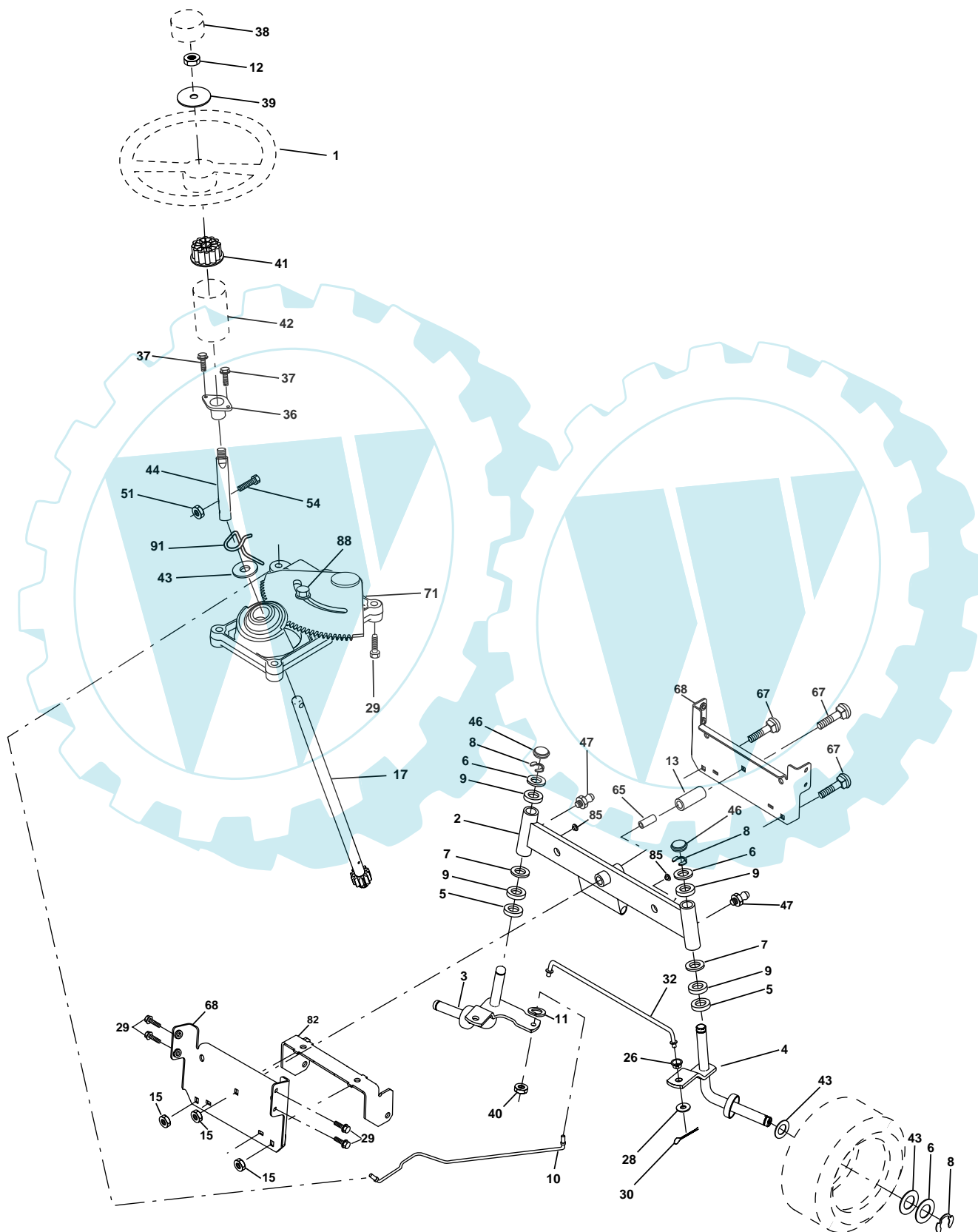
**TRACTOR - MODEL NO. BL12536SBJ (BL12536SBJA), PRODUCT NO. 964 77 13-00
DRIVE**

KEY PART NO. NO.	DESCRIPTION	KEY PART NO. NO.	DESCRIPTION
1	----- Transaxle, Peerless 205-544C (Order Parts From Transaxle Manufacturer)	65	810 04 07-00 Washer Lock Hvy Hlcl Spr 7/16
2	532 14 66-82 Spring Return Brake T/a Zinc	66	532 15 47-78 Keeper Belt Engine Foolproof
3	532 12 36-66 Pulley Transaxle 18" tires	70	532 18 02-18 Guide Belt Mower Drive RH
4	812 00 00-28 Ring Retainer#5100-62	74	532 13 70-57 Spacer Axle
5	532 12 15-20 Strap Torque 30 Degrees	75	532 12 17-49 Washer 25/32 X 1 1/4 X 16 Ga
6	817 06 05-12 Screw Thdrol 5/16-18 X 3/4 TYT	76	812 00 00-01 E-ring#5133-75
8	532 16 56-19 Rod Shift	77	532 12 35-83 Key Square 2 0 X 1845/ 1865
10	876 02 04-16 Pin Cotter 1/8 X 1 Cad	78	532 12 17-48 Washer 25/32 X 1-5/8 X 16 Ga
11	532 10 57-01 Washer Plate Shf 388 Sq Hole	79	532 12 50-96 Key Woodruff #9 3/16 x 3/4
13	874 55 04-12 Bolt 1/4-28 Unf Gr 8 W/Patch	80	532 13 14-86 Arm Shift Transaxle
14	810 04 04-00 Washer Lock Hvy Helical 1/4	81	532 16 55-94 Shaft Asm Cross Taper DA/PR 18
16	873 80 05-00 Nut Lock Hx W/Ins 5/16-18 Unc	82	532 12 37-82 Spring Torsion
18	874 78 06-16 Bolt, Fin Hex 3/8-16 UNC x 1 Gr. 5	83	819 17 12-16 Washer 17/32 x 3/4 x 16 Ga.
19	873 80 06-00 Nut Lock 3/8-16 Unc	84	532 16 62-28 Link Transaxle
21	532 10 69-33 Knob Rd 1/2-13 Plstc Thds	85	532 15 03-60 Nut Lock Center 1/4-28
22	532 13 08-04 Rod Brake Blk Zinc 26 840	89	532 17 37-74 Console Shift
24	873 35 06-00 Nut Hex Jam 3/8-16 Unc	90	532 12 43-46 Nut Self-Thd Wsh-Hd 1/4 Zinc
25	532 10 68-88 Spring Rod Brake 2 00 Zinc	96	532 12 47-88 Retainer Spring 1"
26	819 13 13-16 Washer 13/32 X 13/16 X 16 Ga	112	819 09 12-10 Washer 9/32 x 3/4 x 10 Ga.
27	876 02 04-12 Pin Cotter 1/8 X 3/4 Cad	113	532 12 72-85 Strap Torque LT
28	532 17 57-65 Rod Brake Parking LT/YT	116	872 14 06-08 Bolt Rdhd Sq Neck 3/8-16 x 1
29	532 07 16-73 Cap Brake Parking Black	120	873 90 06-00 Nut Lock Flg. 3/8-16
30	532 17 49-73 Bracket Mtg Transaxle	145	874 49 05-40 Bolt Hex Flg Hd 5/16-18 Gr 5
32	874 76 05-12 Bolt Hex Hd 5/16-18unc X 3/4	150	532 17 54-56 Spacer Retainer
34	532 17 55-78 Shaft Asm Pedal Foot	151	819 13 32-10 Washer 13/32 x 2 x 10 Ga.
35	532 12 01-83 Bearing Nylon Blk 629 Id	156	532 16 60-02 Washer Srrted 5/16ID x 1.125
36	819 21 16-16 Washer 21/32 X 1 X 16 Ga	158	532 16 55-89 Bracket Shift Mount
37	532 12 49-63 Pin Roll 3/16 X 1"	159	532 16 54-94 Hub Tapered Flange Shift Lt
38	532 17 91-14 Pulley Idler	161	872 14 04-06 Bolt Rdhd Sqnc 1/4-20 x 3/4 Gr. 5
39	874 76 06-48 Bolt 3/8-16 unc X 3	162	873 68 04-00 Nut Crownlock 1/4-20 Unc
41	532 17 55-56 Keeper Belt Idler Flat	163	874 78 04-16 Bolt Hex Fin 1/4-20unc x 1 Gr. 5
47	532 12 77-83 Pulley Idler V Groove Plastic	164	819 09 10-10 Washer 5/8 x .281 x 10 Ga
48	532 15 44-07 Bellcrank Clutch Grnd Drv Stl	165	532 16 56-23 Bracket Pivot Lever
49	532 12 32-05 Retainer Belt Style Spring	166	532 16 68-80 Screw 5/16-18 x 5/8
50	874 76 06-24 Bolt Hex Hd 3/8-16unc X 1-1/2	168	532 16 54-92 Bolt Shoulder 5/16-18 x .561
51	873 68 06-00 Nut Crownlock 3/8-16 Unc	169	532 16 55-81 Plate Fastening
52	873 68 05-00 Nut Crownlock 5/16-18 Unc	170	532 17 83-94 Keeper Belt T/A
53	532 10 57-10 Link Clutch	171	817 49 06-08 Screw Thdrol 3/8-16 x 1/2 TY-TT
55	532 10 57-09 Spring Return Clutch 6 75	197	532 16 96-13 Nyliner Snap-In 5/8 ID
56	817 06 06-20 Screw 3/8-16 x 1-1/4	198	532 16 95-93 Washer Nyl 7/8ID x 105"
57	532 13 08-01 V-Belt Ground Drive 95 25	202	872 11 06-14 Bolt Carr Sh 3/8-16 x 1-3/4 Gr 5
59	532 16 96-91 Keeper Belt Span Ctr	212	532 14 52-12 Nut Hex Flg Lock
61	817 12 06-14 Screw 3/8-16 x .875	250	817 06 06-12 Screw 3/8-16 x 3/4
62	532 12 48-72 Cover Pedal	263	817 00 06-12 Screw Hexwsh Thdr 3/8-16 x 3/4
63	532 18 02-19 Engine Pulley LT/YT	268	532 18 24-03 Guard Muffler L-Head
64	871 17 07-64 Bolt Hex		

NOTE: All component dimensions given in U.S. inches
1 inch = 25.4 mm

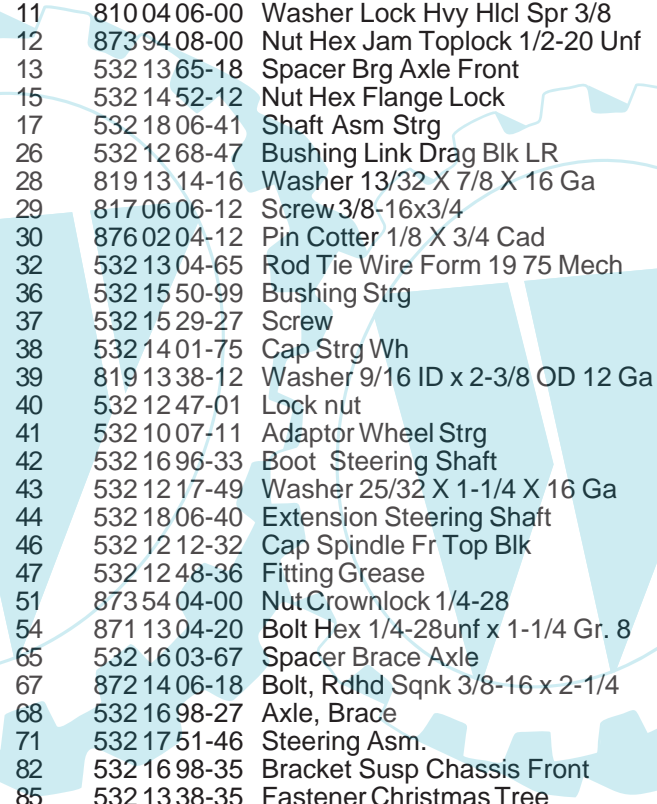
REPAIR PARTS

TRACTOR - MODEL NO. BL12536SBJ (BL12536SBJA), PRODUCT NO. 964 77 13-00
STEERING ASSEMBLY



REPAIR PARTS

TRACTOR - MODEL NO. BL12536SBJ (BL12536SBJA), PRODUCT NO. 964 77 13-00
STEERING ASSEMBLY

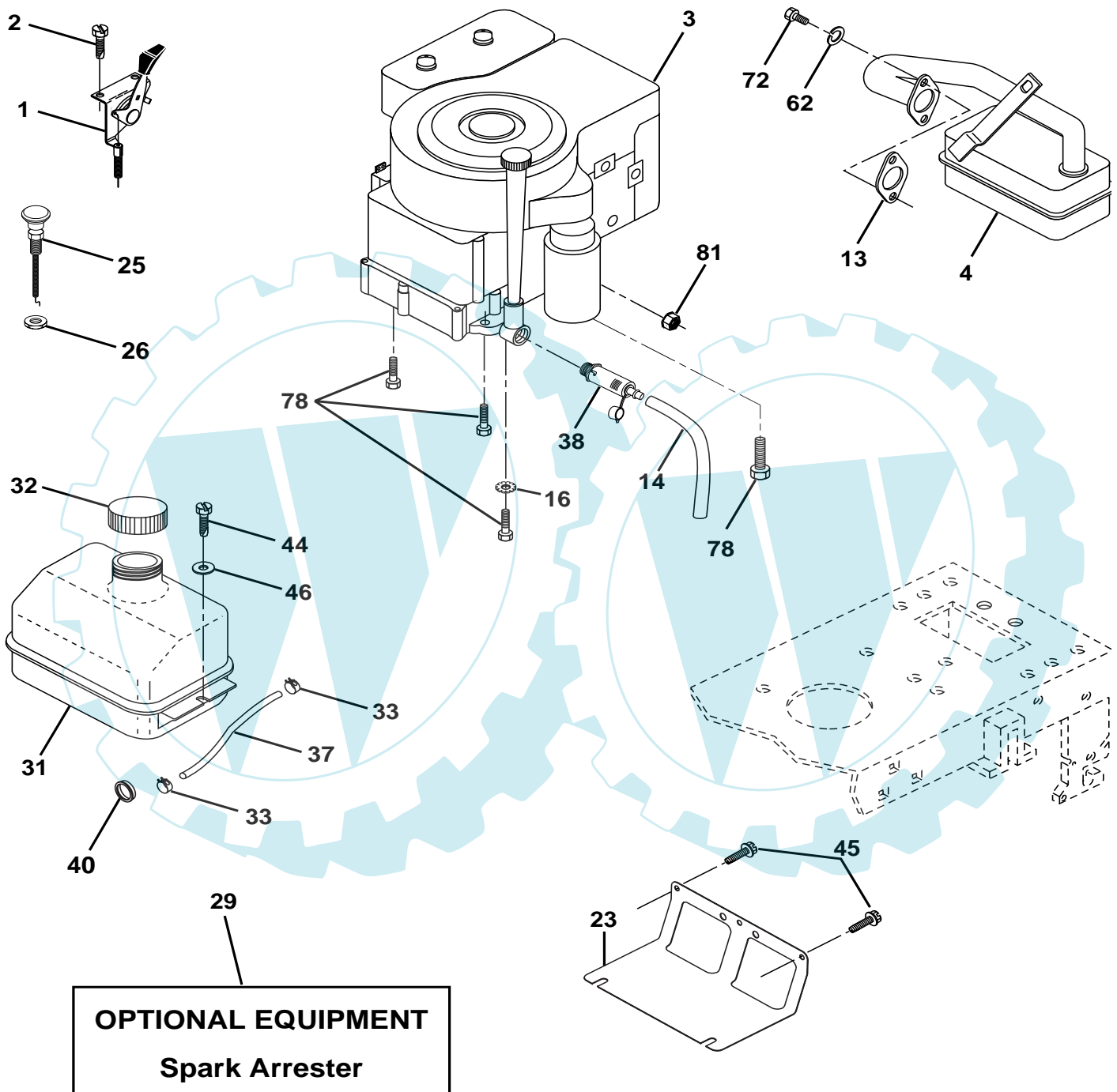


KEY NO.	PART NO.	DESCRIPTION
1	532 13 97-68	Wheel Steering
2	532 17 51-31	Axle Asm
3	532 16 98-40	Spindle Asm LH
4	532 16 98-39	Spindle Asm RH
5	532 12 49-31	Bearing Race Thrust Harden
6	532 12 17-48	Washer 25/32 X 1-5/8 X 16 Ga
7	819 27 20-16	Washer 27/32 X 1-1/4 X 16 Ga
8	812 00 00-29	Ring Klip #t5304-75
9	532 12 49-37	Bearing Col Strg Blk
10	532 17 51-21	Link Drag
11	810 04 06-00	Washer Lock Hvy Hlcl Spr 3/8
12	873 94 08-00	Nut Hex Jam Toplock 1/2-20 Unf
13	532 13 65-18	Spacer Brg Axle Front
15	532 14 52-12	Nut Hex Flange Lock
17	532 18 06-41	Shaft Asm Strg
26	532 12 68-47	Bushing Link Drag Blk LR
28	819 13 14-16	Washer 13/32 X 7/8 X 16 Ga
29	817 06 06-12	Screw 3/8-16x3/4
30	876 02 04-12	Pin Cotter 1/8 X 3/4 Cad
32	532 13 04-65	Rod Tie Wire Form 19 75 Mech
36	532 15 50-99	Bushing Strg
37	532 15 29-27	Screw
38	532 14 01-75	Cap Strg Wh
39	819 13 38-12	Washer 9/16 ID x 2-3/8 OD 12 Ga
40	532 12 47-01	Lock nut
41	532 10 07-11	Adaptor Wheel Strg
42	532 16 96-33	Boot Steering Shaft
43	532 12 17-49	Washer 25/32 X 1-1/4 X 16 Ga
44	532 18 06-40	Extension Steering Shaft
46	532 12 12-32	Cap Spindle Fr Top Blk
47	532 12 48-36	Fitting Grease
51	873 54 04-00	Nut Crownlock 1/4-28
54	871 13 04-20	Bolt Hex 1/4-28unf x 1-1/4 Gr. 8
65	532 16 03-67	Spacer Brace Axle
67	872 14 06-18	Bolt, Rdhd Sqnk 3/8-16 x 2-1/4
68	532 16 98-27	Axle, Brace
71	532 17 51-46	Steering Asm.
82	532 16 98-35	Bracket Susp Chassis Front
85	532 13 38-35	Fastener Christmas Tree
88	532 17 51-18	Bolt Shoulder 7/16-20
91	532 17 55-53	Clip Steering

NOTE: All component dimensions given in U.S. inches.
1 inch = 25.4 mm.

REPAIR PARTS

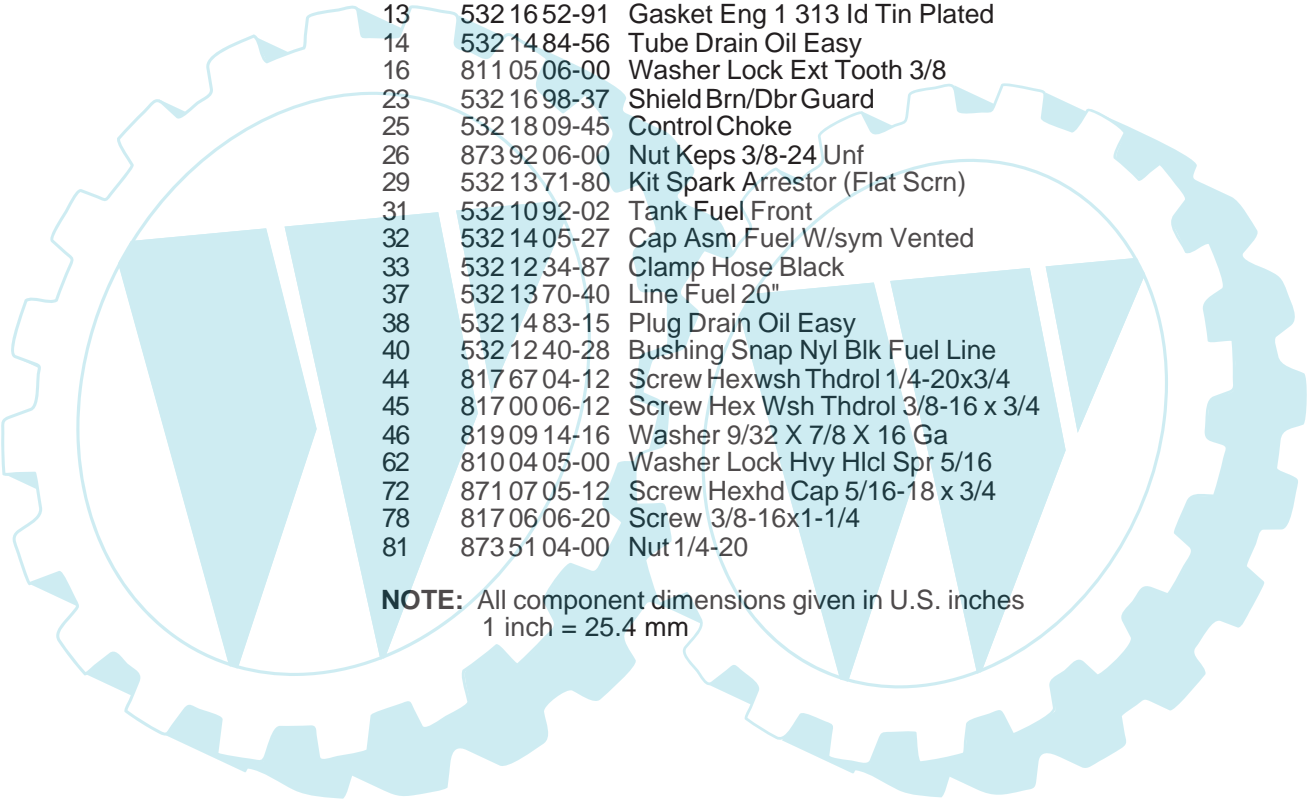
TRACTOR - MODEL NO. BL12536SBJ (BL12536SBJA), PRODUCT NO. 964 77 13-00
ENGINE



OPTIONAL EQUIPMENT
Spark Arrester

REPAIR PARTS

TRACTOR - MODEL NO. BL12536SBJ (BL12536SBJA), PRODUCT NO. 964 77 13-00
ENGINE

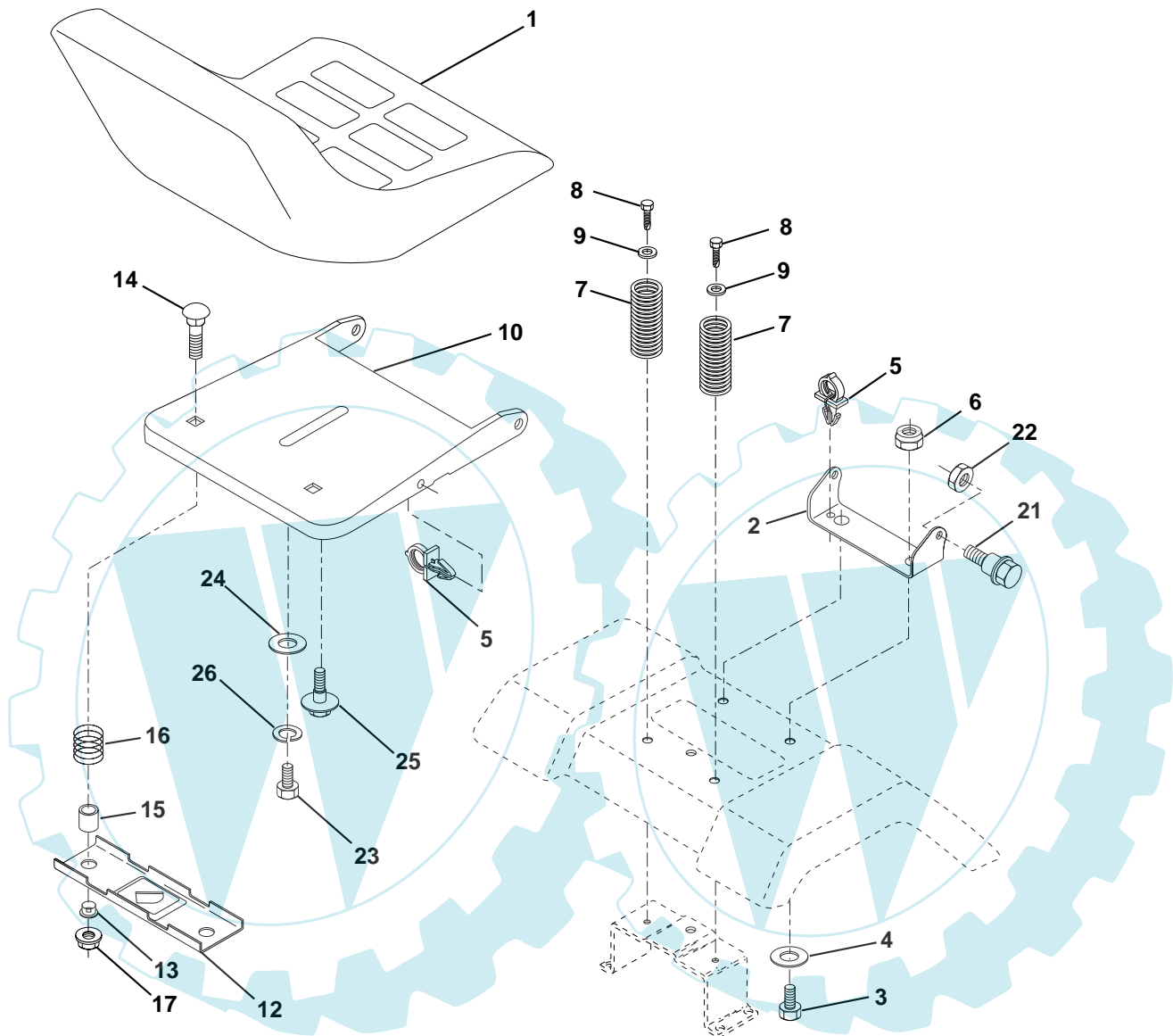


KEY NO.	PART NO.	DESCRIPTION
1	532 17 05-51	Control Th/ch Flag
2	817 72 04-08	Screw Hex Thd Cut 1/4-20 x 1/2
3	-----	Engine B&S Model No. 289707 (Order Parts From Engine Manufacturer)
4	532 13 73-48	Muffler LT B&S 12/12.5/13HP
13	532 16 52-91	Gasket Eng 1 313 Id Tin Plated
14	532 14 84-56	Tube Drain Oil Easy
16	811 05 06-00	Washer Lock Ext Tooth 3/8
23	532 16 98-37	Shield Brn/Dbr Guard
25	532 18 09-45	Control Choke
26	873 92 06-00	Nut Keps 3/8-24 Unf
29	532 13 71-80	Kit Spark Arrestor (Flat Scrn)
31	532 10 92-02	Tank Fuel Front
32	532 14 05-27	Cap Asm Fuel W/sym Vented
33	532 12 34-87	Clamp Hose Black
37	532 13 70-40	Line Fuel 20"
38	532 14 83-15	Plug Drain Oil Easy
40	532 12 40-28	Bushing Snap Nyl Blk Fuel Line
44	817 67 04-12	Screw Hexwsh Thdrol 1/4-20x3/4
45	817 00 06-12	Screw Hex Wsh Thdrol 3/8-16 x 3/4
46	819 09 14-16	Washer 9/32 X 7/8 X 16 Ga
62	810 04 05-00	Washer Lock Hvy Hlcl Spr 5/16
72	871 07 05-12	Screw Hexhd Cap 5/16-18 x 3/4
78	817 06 06-20	Screw 3/8-16x1-1/4
81	873 51 04-00	Nut 1/4-20

NOTE: All component dimensions given in U.S. inches
1 inch = 25.4 mm

REPAIR PARTS

TRACTOR - MODEL NO. BL12536SBJ (BL12536SBJA), PRODUCT NO. 964 77 13-00
SEAT ASSEMBLY



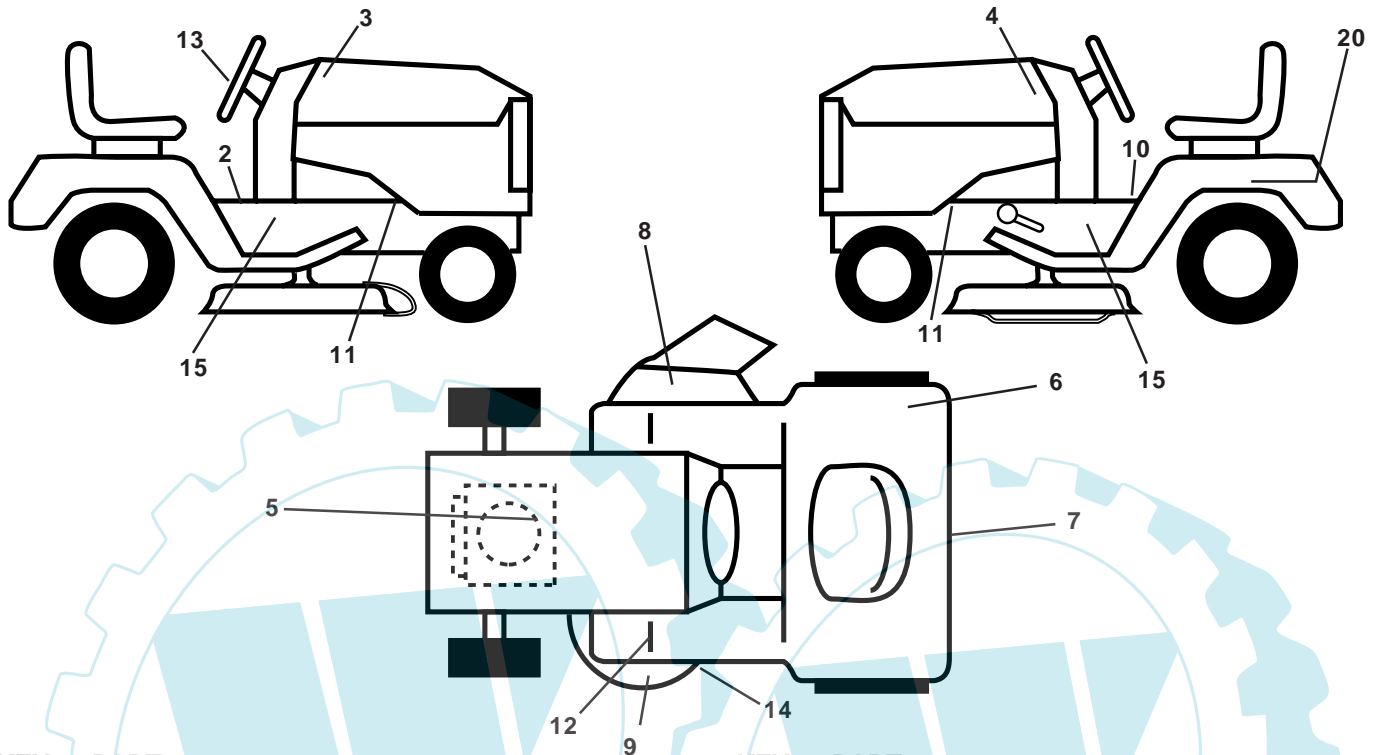
KEY NO.	PART NO.	DESCRIPTION
1	532 17 53-89	Seat
2	532 14 05-51	Bracket Pivot Seat 8 720
3	871 11 06-16	Bolt Fin Hex 3/8-16unc X 1
4	819 13 16-10	Washer 13/32 X 1 X 10 Ga
5	532 14 50-06	Clip Push-In
6	873 80 06-00	Nut Hex w/Ins. 3/8-16 Unc
7	532 12 41-81	Spring Seat Cprsn 2 250 Blk Zi
8	817 00 06-16	Screw 3/8-16 X 1-1/2
9	819 13 16-14	Washer 13/32 X 1 X 14 Ga.
10	532 18 24-93	Pan Seat
12	532 12 12-46	Bracket Mounting Switch
13	532 12 12-48	Bushing Snap Blk Nyl 50 Id

KEY NO.	PART NO.	DESCRIPTION
14	872 05 04-12	Bolt Rdhd Sqnk 1/4-20x1-1/2
15	532 13 43-00	Spacer Split 28x 96 Yel Zinc
16	532 12 12-50	Spring Cprsn 1 27 Blk Pnt
17	532 12 39-76	Nut Lock 1/4 Lge Flg Gr 5 Zinc
21	532 17 18-52	Bolt Shoulder 5/16-18 Unc
22	873 80 05-00	Nut Hex Lock W/Ins 5/16-18
23	871 11 08-14	Bolt Hex
24	819 17 19-12	Washer 17/32 X 1-3/16 X 12 Ga.
25	532 12 70-18	Bolt Shoulder 5/16-18 X 62
26	810 04 08-00	Washer Lock Hvy HLCL SPR 1/2

NOTE: All component dimensions given in U.S. inches.
1 inch = 25.4 mm

REPAIR PARTS

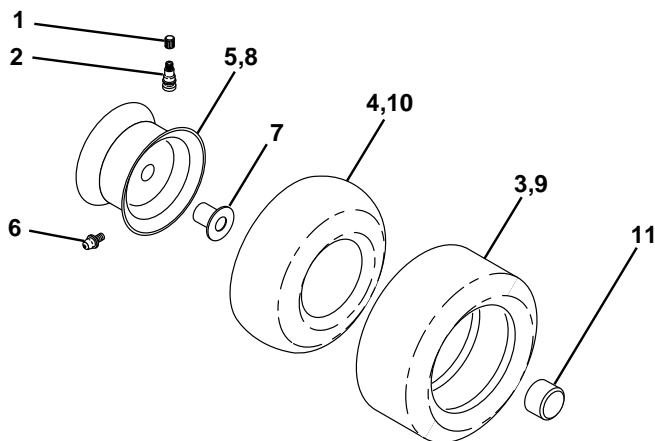
TRACTOR - MODEL NO. BL12536SBJ (BL12536SBJA), PRODUCT NO. 964 77 13-00
DECALS



KEY NO.	PART NO.	DESCRIPTION
2	532 14 08-37	Decal Saddle Brake Parking
3	532 17 97-02	Decal Hood RH
4	532 17 97-03	Decal Hood LH
5	532 17 08-41	Decal HP Engine
6	532 18 04-32	Decal Fender 100 DB/CE
7	532 16 67-08	Decal Fender Logo
8	532 18 21-66	Decal Mower Cutfinger
9	532 13 49-99	Decal Mower Enviro

KEY NO.	PART NO.	DESCRIPTION
10	532 14 54-98	Decal Read Owner's Manual Syms.
11	532 15 97-36	Decal Chassis Hot Muffler
12	532 15 97-37	Decal Brake/ Clutch Symbol Lt
13	532 16 62-85	Decal Wheel Steering
14	532 13 68-32	Decal V-Belt Schematic
15	532 17 10-94	Decal Chassis 36/5sp Bernard
20	532 14 50-05	Decal Bat Dan/Psn
--	532 16 25-98	Decal Drawbar
--	532 13 83-11	Decal Handle Lift Height Adjust
--	532 17 98-20	Manual Operator's (Euro.)

WHEELS & TIRES

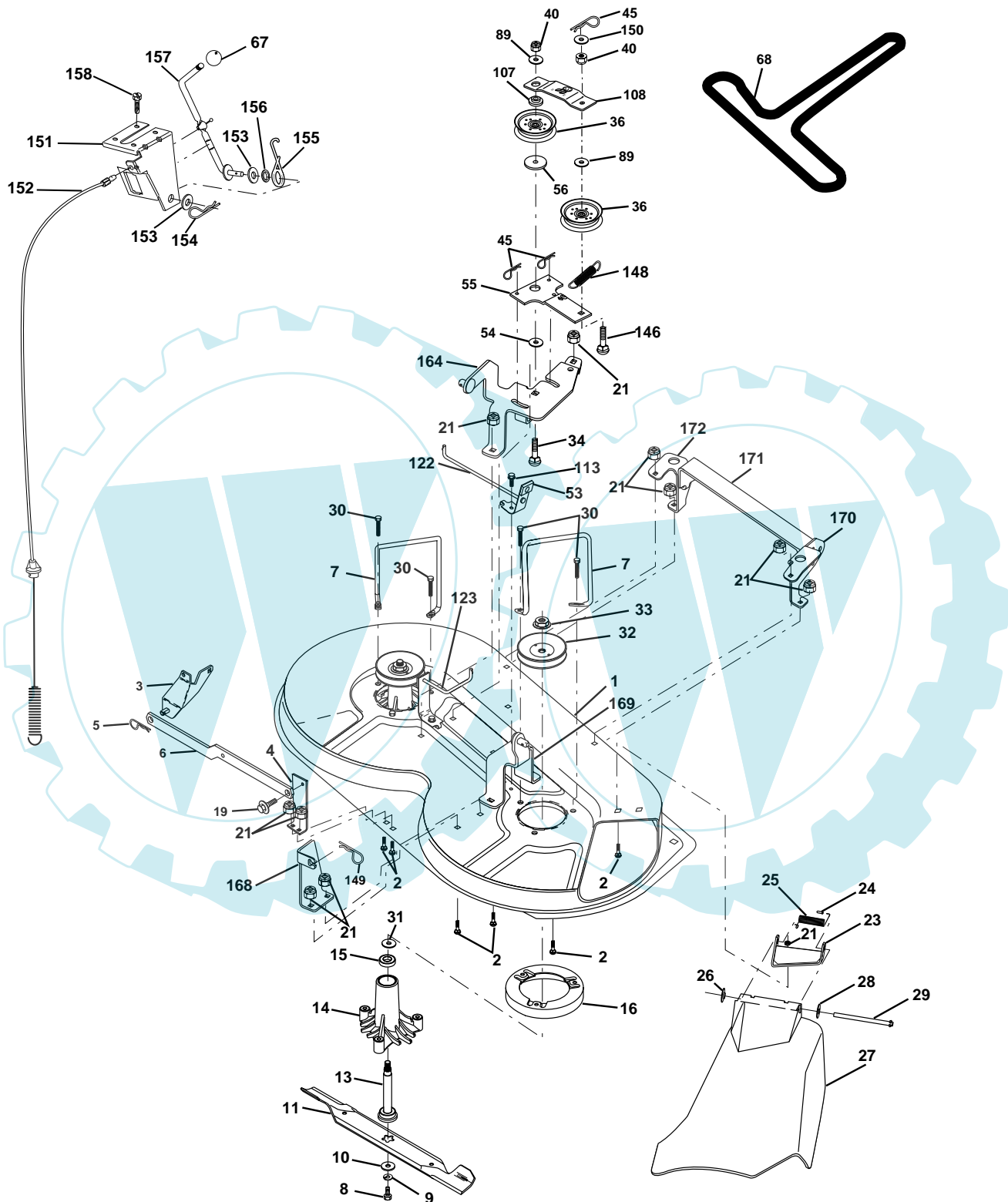


KEY NO.	PART NO.	DESCRIPTION
1	532 05 91-92	Cap Valve Tire
2	532 06 51-39	Stem Valve
3	532 12 41-57	Tire F Ts 15 X 6 0 - 6 Service
4	532 05 99-04	Tube Front (Service Item Only)
5	532 12 51-21	Rim Asm 6" front Service
6	532 12 49-57	Fitting Grease (Front Wheel Only)
7	532 12 49-59	Bearing Flange (Front Wheel Only)
8	532 12 51-22	Rim Asm 8" rear Service
9	532 12 39-69	Tire R Ts 18x8 5-8 C Service
10	532 12 49-26	Tube Rear (Service Item Only)
11	532 17 50-39	Cap Axle Blk 1 50 X 1 00
--	532 14 43-34	Sealant, Tire (10 oz. Tube)

NOTE: All component dimensions given in U.S. inches
1 inch = 25.4 mm

REPAIR PARTS

TRACTOR - MODEL NO. BL12536SBJ (BL12536SBJA), PRODUCT NO. 964 77 13-00
MOWER DECK



REPAIR PARTS

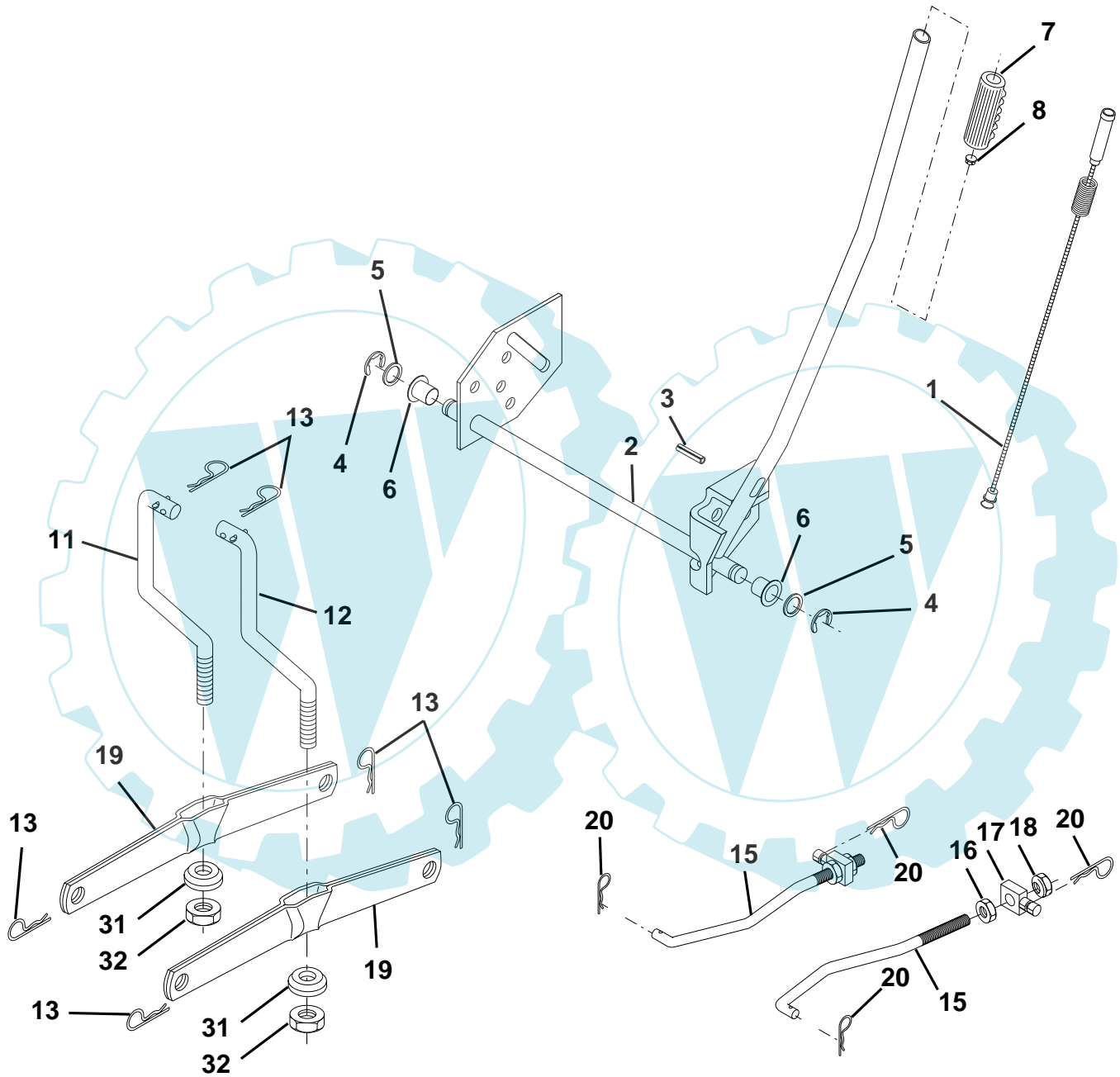
TRACTOR - MODEL NO. BL12536SBJ (BL12536SBJA), PRODUCT NO. 964 77 13-00
MOWER DECK

KEY NO.	PART NO.	DESCRIPTION	KEY NO.	PART NO.	DESCRIPTION
1	532 17 45-95	Mower Deck Assembly	56	532 16 57-23	Spacer, Retainer
2	872 14 05-06	Bolt	67	532 10 69-32	Knob RD 3/8-16 Plstc Thd
3	532 13 80-17	Bracket Assembly, Sway Bar	68	532 18 02-13	Belt
4	532 17 56-54	Bracket Sway Bar	89	819 13 16-12	Washer 13/32 x 1 x 12 Ga
5	532 12 46-70	Retainer Spring	107	532 13 35-02	Spacer, Retainer
6	532 17 80-24	Bar Sway Deck	108	532 13 35-03	Stiffener, Idler Arm
7	532 14 06-08	Keeper Belt	113	817 49 05-08	Screw Thdrol 5/16-18 x 1/2
8	532 85 08-57	Bolt, Hex 3/8-24 x 1.25 Gr. 8	122	532 17 45-05	Rod, Brake, LH
9	810 03 06-00	Washer, Lock Hvy Hlcl 3/8	123	532 17 45-04	Rod, Brake, RH
10	532 14 02-96	Washer, Hardened	146	532 16 58-91	Bolt Carriage Idler
11	532 13 84-96	Blade, Mower	148	532 16 90-22	Spring Return Idler
--	532 14 01-01	Blade Mulching	149	532 16 58-98	Retainer Spring Yellow Zinc
13	532 13 76-45	Shaft Assembly, Mandrel,	150	819 09 12-16	Washer 9/32 x 3/4 x 16 Ga.
14	532 12 87-74	Housing, Mandrel, Vented	151	532 16 96-70	Bracket Clutch
15	532 11 04-85	Bearing, Ball, Mandrel	152	532 17 60-79	Cable Clutch
16	532 17 44-93	Stripper, Mower Deck	153	532 16 96-74	Washer Flat 3/8" Type B
19	532 13 28-27	Bolt, Shoulder	154	532 16 96-75	Spring Retainer
21	873 68 05-00	Nut Crownlock 5/16-18	155	532 16 96-71	Spring Retention Lever
23	532 13 66-31	Bracket, Mower Deflector	156	532 16 96-72	Spacer
24	532 10 53-04	Cap, Sleeve	157	532 16 96-69	Rod Clutch
25	532 12 37-13	Spring, Torsion, Deflector	158	817 72 04-08	Screw Hex Thd Cut 1/4-20 x 1/2
26	532 11 04-52	Nut, Push	164	532 17 49-76	Bracket Asm Idler Support
27	532 17 61-62	Shield, Deflector	168	532 17 23-77	Bracket Deck Cable
28	819 11 10-16	Washer 11/32 x 5/8 x 16 Ga.	169	532 17 49-77	Bracket Asm Suspension
29	532 12 19-80	Rod, Hinge	170	532 17 23-59	Bracket Suspension RF
30	532 17 39-84	Screw Thdrol	171	532 16 52-37	Bracket Support Susp. Frt
31	532 12 99-63	Washer, Spacer	172	532 17 23-55	Bracket Suspension LF
32	532 15 35-31	Pulley, Mandrel	--	532 13 07-94	Mandrel Assembly (Includes Housing, Shaft and Shaft Hardware Only - Pulley Not Included)
33	532 17 83-42	Nut, Toplock, Flanged	--	532 18 13-76	Replacement Mower, Complete
34	872 11 06-14	Bolt Rdhd 3/8-16 x 1-3/4			
36	532 13 14-94	Pulley, Idler, Flat			
40	873 68 06-00	Nut Crownlock 3/8-16			
45	532 12 47-88	Retainer, Spring			
53	532 13 08-40	Brake Assembly			
54	532 13 39-43	Washer, Hardened			
55	532 13 38-40	Idler Arm Assembly			

NOTE: All component dimensions given in U.S. inches
 1 inch = 25.4 mm

REPAIR PARTS

TRACTOR - MODEL NO. BL12536SBJ (BL12536SBJA), PRODUCT NO. 964 77 13-00
MOWER LIFT



REPAIR PARTS

TRACTOR - MODEL NO. BL12536SBJ (BL12536SBJA), PRODUCT NO. 964 77 13-00
MOWER LIFT

KEY NO.	PART NO.	DESCRIPTION
1	532 15 94-60	Wire Asm Inner/Spring W/plunger
2	532 15 94-71	Shaft Asm Lift
3	532 10 57-67	Pin Groove
4	812 00 00-02	E Ring #5133-62
5	819 21 16-21	Washer PLTD 21/32 X 1 X 21ga
6	532 12 01-83	Bearing Nylon Blk 629 Id
7	532 10 94-13	Grip Handle
8	532 12 45-26	Button Plunger Black
11	532 13 98-65	Link Lift LH
12	532 13 98-66	Link Lift RH
13	532 12 46-70	Retainer Spring
15	532 17 32-88	Link Front
16	873 35 08-00	Nut Jam Hex 1/2-13 Unc
17	532 17 56-89	Trunnion
18	873 80 08-00	Nut Lock W/wsh 1/2-13unc
19	532 13 98-68	Arm Suspension Rear
20	532 16 35-52	Spring, Retainer
31	532 16 98-65	Bearing Pvt. Lift
32	873 54 06-00	Nut Crownlock 3/8-24

NOTE: All component dimensions given in U.S. inches
1 inch = 25.4 mm